

FEATURES:

- Sharp click feel with a positive tactile feedback. Due to a small movement distance (stroke), user experiences distinct sensation when the switch “clicks” into place.
- Ultraminiature and light weight structure suitable for high density mounting. Economic but high reliability.
- Insert molding in the contact with special treatment prevents flux build-up during soldering and permits auto-dipping.

MATERIAL:

- Cover: Steel, Tin Plated
- Base: UL94V-0 Nylon Thermoplastic.
Color: Black
- Stem: UL94V-0 Nylon Thermoplastic.
Color: Brown(160gf), Red(260gf),
Salmon(320gf), Yellow(520gf),
Black(100gf)
- Contact Disc: Phosphor Bronze with Silver cladding
Stainless Steel(V-Option)
- Terminal: Brass with silver plated.
- Frame Case: Steel, Tin Plated.

SPECIFICATION

MECHANICAL

- Operation Force: 520 ± 130gf Yellow (Y)
320 ± 80gf Salmon (S)
260 ± 50gf Red (R)
160 ± 50gf Brown (N)
100 ± 50gf Black (K)
- Stop Strength: Max 3kgf vertical static load continuously for 15 seconds
- Stroke: (6x6) 0.25 +0.2mm -0.1mm
- Operation Temperature Range: -25°C to +70°C
- Storage Temperature Range: -30°C to +80°C
- Vibration Test: MIL-STFD-202F METHOD 201A.
Frequency: 10-55-10Hz/1 minute
Directions: X, Y, Z, three mutually perpendicular directions.
Time: 2 hours each direction.
High reliability.
- Shock Test: MIL-STD-202F METHOD 213B
CONDITION A.
Gravity: 50G (peak value), 11 msec
Direction and times: 6 sides and 3 times in each direction.
High reliability.

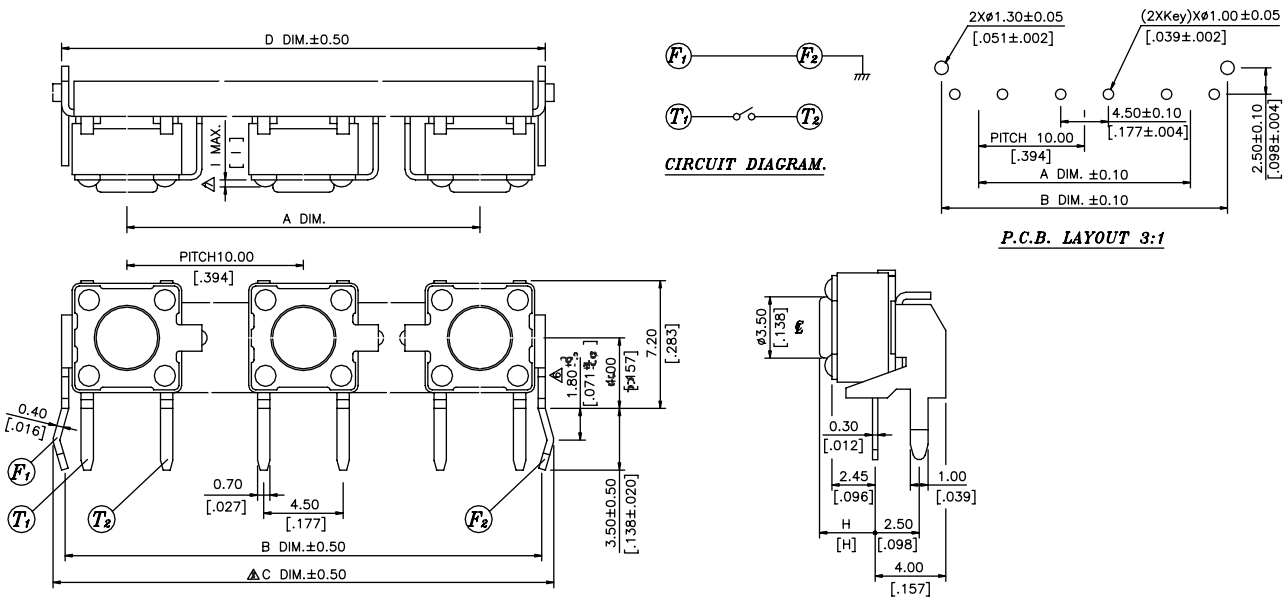
ELECTRICAL

- Electrical Life: 300 000 cycles for 320gf, 520gf
500 000 cycles for 260gf
1 000 000 cycles for 100gf, 160gf
- Rating: 50mA, 12VDC.
- Contact Resistance: 100mΩ max.
- Insulation Resistance: 100Ωmin. at 500VDC.
- Dielectric Strength: 250VAC/1 minute.
- Contact Arrangement 1 pole 1 throw

Packaging:

Part Number	Number per bag
STSU-6□2-10	190
STSU-6□2-11	70
STSU-6□2-12	56
STSU-6□2-13	32
STSU-6□2-14	57
STSU-6□2-12	76
STSU-6□2-20	90
STSU-6□2-21	76
STSU-6□2-22	57
STSU-6□2-23	26

STSU-6□2-31	76
STSU-6□2-32	42
STSU-6□2-33	38
STSU-6□2-42	38
STSU-6□2-52	40



STSU-6□2~6□6	0.5 max	0.236 max
STSU-6□1	0.4 max	0.197 max
PROD. No.	I	Inches

Dimensions

STSU-6□6-3	11.85[.467]
STSU-6□5-3	8.35[.329]
STSU-6□4-3	6.15(SQ)[.242]
STSU-6□3-3	5.85[.230]
STSU-6□2-3	3.85[.152]
STSU-6□1-3	3.15[.124]
Prod. No.	DIM H

STSU-6□1	10	2	10	17	18.7	17.4
		3	20	27	28.7	27.4
		4	30	37	38.7	37.4
		5	40	47	48.7	47.4
		6	50	57	58.7	57.4
STSU-6□5	14	2	14	22	23.5	22.4
		3	28	36	37.5	36.4
		4	42	50	51.5	50.4
		5	56	64	65.5	64.4
		6	70	78	79.5	78.4
STSU-6□2	15	2	15	22	23.7	22.4
		3	30	37	38.7	37.4
		4	45	52	53.7	52.4
		5	60	67	68.7	67.4
		6	75	82	83.7	82.4
STSU-6□3	18	2	18	25	26.7	25.4
		3	36	43	44.7	43.4
		4	54	61	62.7	61.4
		5	72	79	80.7	79.4
		6	90	97	98.7	97.4
STSU-6□4	20	2	20	27	28.7	27.4
		3	40	47	48.7	47.4
		4	60	67	68.7	67.4
		5	80	87	88.7	87.4
		6	100	107	108.7	107.4
7	120	127	128.7	127.4		
Part No.	Kind of Pitch	Q'ty of Keys	A DIM	B DIM	C DIM	D DIM

HOW TO ORDER:

STSU-6 □ □ - □ □ - □ □

Soldering
R= Lead Free

Q'ty of Keys
0 = 2 Keys
1 = 3 Keys
2 = 4 Keys
3 = 6 Keys
4 = 7 Keys
5 = 5 Keys

Pitch:
1 = 10mm
2 = 15mm
3 = 18mm
4 = 20mm
5 = 14mm

Dimensions:
1 = 3.15mm
2 = 3.85mm
3 = 5.85mm
44 = 6.15mm(SQ) x 2.4mm
48 = 6.15mm(SQ) x 2.8mm
5 = 8.35mm
6 = 11.85mm

Color of Stem For Operating Force:
K = Black, 100gf
N = Brown, 160gf
R = Red, 260gf
S = Salmon, 320gf
Y = Yellow, 520gf

Multiple Type Tactile Switch

Soldering Process

▲ Hand Soldering : Use a soldering iron of 30 watts, controlled at 350° approx. 5 seconds while applying solder

▲ Wave Soldering: Recommended solder temperature 500°F (260°C) max 5 seconds subject to PCB 1.6mm thickness (For through hole type)